

MC 250-M14

Magnetic Contact Set with a Strong Ring Magnet, NC



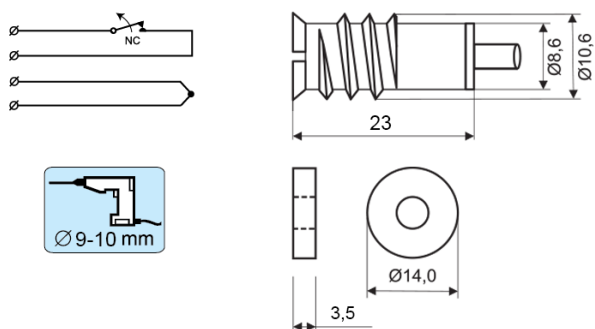
Technical data

| | |
|-------------------------------|---|
| Installation method | Recessed mounting |
| Contact function | Normally Closed (NC) |
| Approvals | EN 50131-2-6 Grade 2, Class IIIA, VdS G 193514 Class B, INCERT B-582-0013, SBSC 9-199, Class 1/2, F&P, FG |
| Contact rating | 48 VDC / 500 mA / 10 VA |
| Drill diameter mm | 9-10 |
| Magnet type | Neodymium (NdFeB) |
| Make distance (wood) mm | 19 |
| Make distance (metal) mm | Depending from the accessories used |
| Tamper protection | Yes |
| Connection | Cable |
| Housing material | Al-alloy |
| Operating temperature range | -40°C - +70°C |
| Housing protection class | IP 67 |
| Contact dimensions (L x Ø) mm | 23 x 11 |
| Magnet dimensions (L x Ø) mm | 3 x 14 |



MC 250-M14 consists of a MC 250 contact part and a strong M14 ring magnet and is designed for installation on windows protected by roller shutters.

It is perfect for installation in limited spaces and the the magnet is easy to install with the help of the enclosed rivet or screw.



ORDERING INFORMATION

| Model | Description |
|------------|--|
| MC 250-M14 | Recessed magnetic contact, NC, 2 m cable |